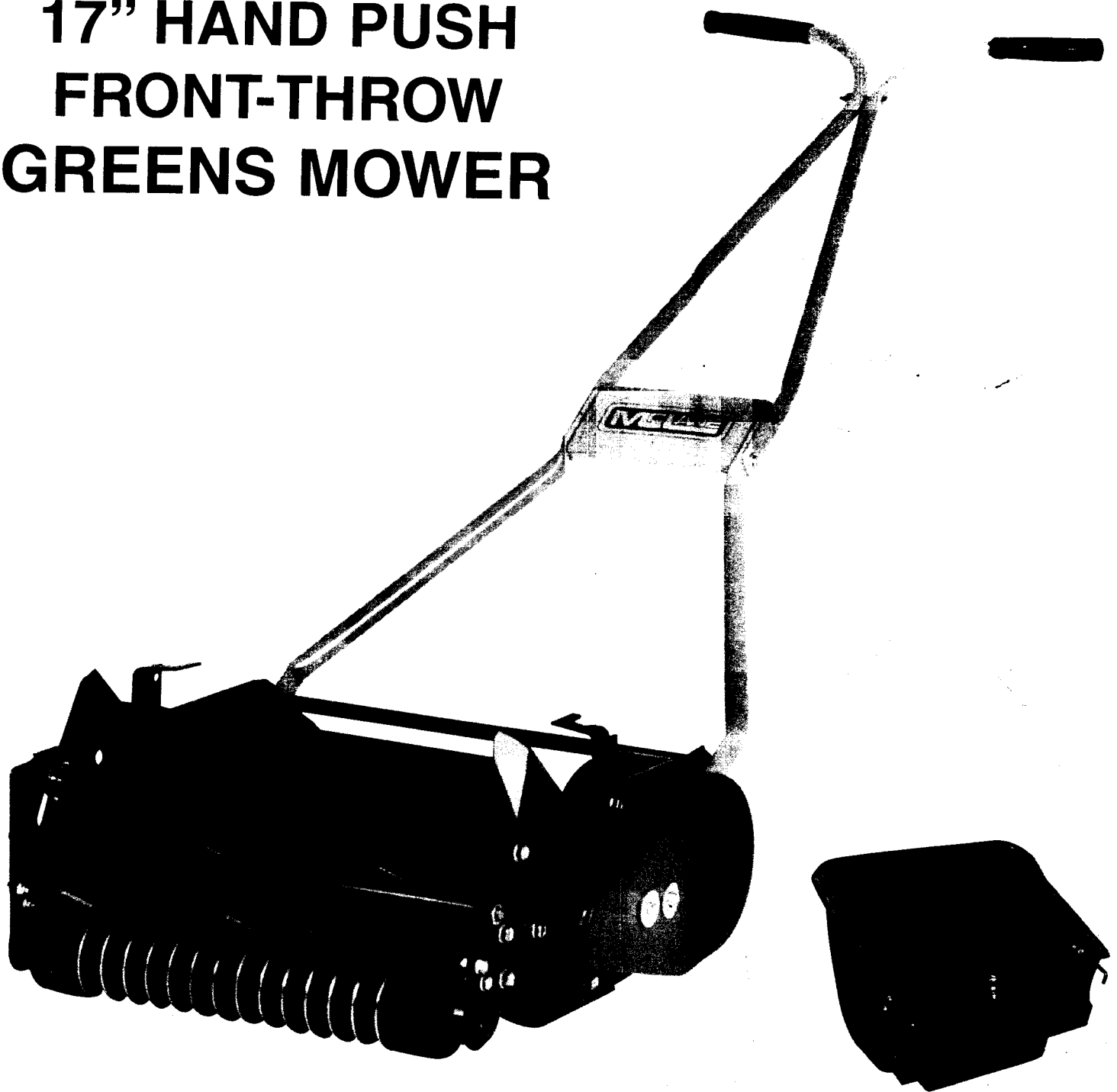


OPERATOR'S MANUAL 17" HAND PUSH FRONT-THROW GREENS MOWER



MCLANE

MANUFACTURING
INC.

7110 East Rosecrans Ave.
Paramount, CA 90723
Telephone
(562) 633-8158 (323) 636-8336
Fax: (562) 602-0651

17" FRONT THROW PUSH GREENS MOWER

FEATURES

- * 17" CUTTING WIDTH.
- * 10 BLADE REEL.
- * 3/16" TO 1" CUTTING HEIGHT.
- * SINGLE WING NUT FOR EASY HEIGHT ADJUSTMENT CHANGE.
- * FRONT AND REAR WHEELS ADJUST TO KEEP MOWER LEVEL.
- * CHAIN DRIVEN.
- * BAKED POLYESTER POWDER PAINT.
- * ONE SIDE SPECIFICALLY DESIGNED FOR CLOSE-IN CUTTING WITHIN 1".
- * PRECISION SEALED BALL BEARINGS IN REEL.

CUTTING HEIGHTS SUGGESTED BY SUNSET MAGAZINE		
	LOW-CUT	HIGH-CUT
BERMUDA.....	1/2"	1/2"
ST. AUGUSTINE..	1/2"	1"
BENT GRASS....	1/2"	1"
ZOYSIA.....	1"	1-1/2"
KENTUCKY BLUE	1-1/2"	2-1/2"
RYE.....	3/4"	1-1/4"
DICHONDRA.....	1-1/2"	1-1/2"
FRESCUES.....	3/4"	2"

GRASS DEFLECTING
SHIELD WITH EXCLUSIVE
GRASS DIVERTERS FINS

8" REAR WHEELS
WITH RUBBER TIRES

CHAIN GUARD

HIGH STRENGTH HEAT
TREATED STEEL

POLYETHYLENE CATCHER

CONTENTS

	Page		Page
Mower Features	1	Parts List	5
General Safety Suggestions	2	Parts Illustration	6
Assembly	3	Safety Rules	7
Operating Your Mower	4	Warranty	7
Maintaining Your Mower	4		
Reel Maintenance	4		
General Maintenance	4		



CAUTION



This symbol marks important instructions relating to your personal safety. To avoid the possibility of injury, read and follow such instructions carefully.

When the manual refers to the left or right side of the mower, it means your left and right when standing in the operating position.



CAUTION



TO AVOID INJURY

READ OPERATOR'S MANUAL • MAINTAIN SAFETY DEVICES • REMOVE POTENTIAL THROWN OBJECTS • NEVER MOW NEAR PEOPLE • NEVER CARRY PASSENGERS • LOOK BEFORE BACKING • AVOID SLIPPERY OR STEEP AREAS • AVOID REEL UNLESS REEL IS STOPPED.

ASSEMBLY

TOOLS REQUIRED: 7/16" Wrench, 5/8" Wrench, 11/16" Wrench or Adjustable Wrench

NOTE: Reference to left or right side of mower is from operator's position at the handle, facing forward. The lawn mower is fully assembled except for the handle, handle brace plate and left and right lower handle braces. Everything is packed and shipped in one container, including package of hardware and handle grips.

ASSEMBLY:

STEP 1: Remove handle, 2 lower handle braces, handle brace plate and bag of parts from the mower carton. Now remove mower from carton.

STEP 2: Attaching handle braces and handle. The bolts will be in the bag of parts.

A. Attach right and left lower handle braces to the mower. There is a pin welded to the bottom of the handle brace.

Place the pin in the slotted hole located in the back of the side plate. Now place a 7/16"-14 x 5/8" bolt through the hole in the handle brace and the top hole of the side plate. Use a 7/16"-14 nut to secure handle brace to the mower.

B. Place the upper handle over the handle braces making sure the holes in the upper handle align with the holes in the handle braces.

C. Place the handle brace plate between the lower handle braces and bolt all pieces together with 1/4"-28 x 5/8" bolts. Place a 1/4"-28 nut on each bolt and tighten securely. (refer to Fig. 1)

D. Slip on the handle grips.

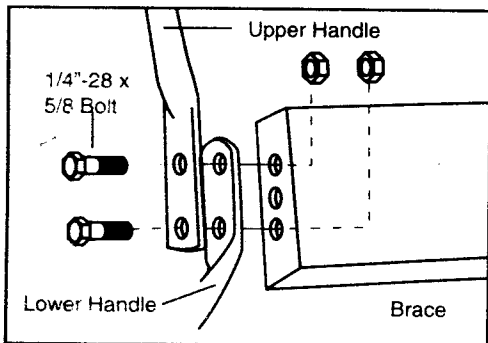


Fig. 1

INSTALLING GRASS CATCHER:

NOTE: The grass catcher is included.

1. SEE FIG. 2: Loosen catcher hook, nuts and bolts. Remove front nut and bolt from each catcher hook. Then raise catcher hooks and fasten both hooks with the bolts. Leave bolts loose until catcher is adjusted for proper clearance from the reel blades.
2. Attach grass catcher to the mower and make sure the catcher does not touch the reel blades. The catcher hooks are slotted so you can easily adjust the catcher so it will clear the reel blades.
3. When proper clearance is assured, tighten the nuts and bolts holding the hooks to the catcher.

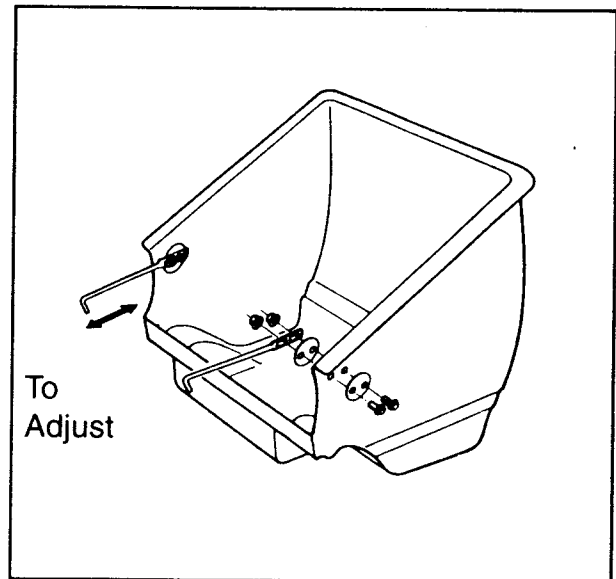


Fig. 2

NOTE: The two holes in the upper handle must be aligned with the two holes in the lower braces.

OPERATION

MAINTENANCE

OPERATION

HEIGHT ADJUSTMENT

The cutting height of the mower is adjustable from 3/16" to 1" approximately. Fine adjustment is made by loosening nuts (Ref. 67, page 6) and (Ref. 20 Page 6). Move roller assembly up or down to set desired cutting height.

REAR WHEEL ADJUSTMENT

1. Remove chain guard by removing two 1/4"-20 x 1/2" bolts holding guard to mower.
2. Remove the chain by disconnecting the master chain link.
3. Remove the 5" rear wheel sprocket. Use a 1/4" allen wrench to loosen the set screw from the sprocket hub. Now pull the sprocket from the rear axle.
4. There are two 5/16"-18 x 1/2" bolts holding the height adjustment brackets to the side plates. (One bracket on each side) Remove the bolts, total of four, two on each side.
5. To raise the back of the mower, move height adjustment brackets down. To lower mower move brackets up. Align holes in bracket with slotted holes in the side plate and replace the 5/16"-18 x 1/2" bolts.
6. Now replace sprocket and chain.

Note: To keep mower level the height adjustment brackets must be raised or lowered equally on both sides of the mower. (Use same horizontal slotted holes on both sides).

LUBRICATION

Oil chain located under chain guard at intervals of approximately four hours usage.

REEL MAINTENANCE

Normally grinding of the reel is not recommended or necessary to insure proper cutting. This is due to the extreme hardness and great strength of the reel.

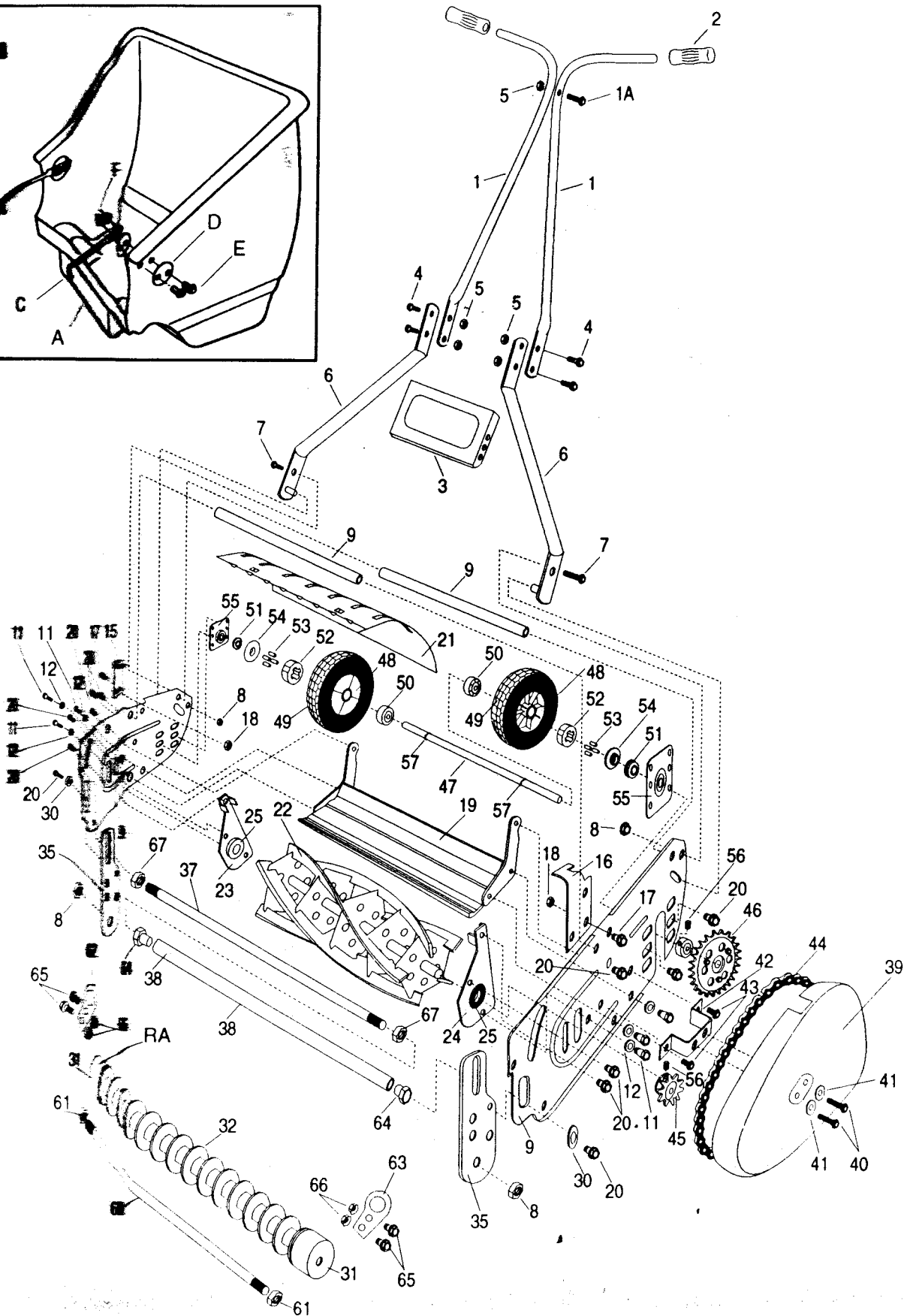
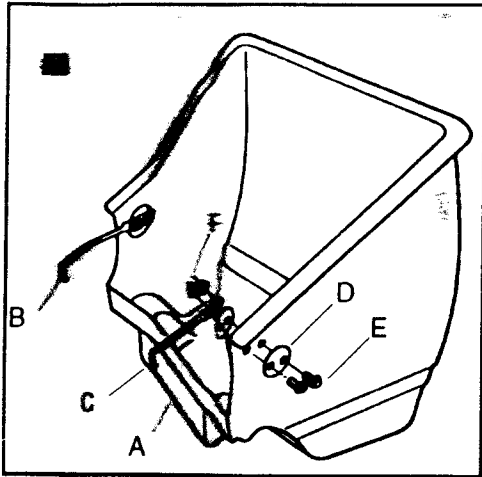
Sharpening and back lapping, when required, should be done by a properly equipped service center, Or by ordering a McLane sharpening kit . (part #1720)

McLane — 17" HAND PUSH GREENS MOWER PARTS LIST


REE PART NO. NO.	DESCRIPTION	REF. PART NO. NO.	DESCRIPTION
1 6500	Handle	56 1070	7/16"-20 x 7/16" Set Screw (2)
1 6515	1/4"-28 x 2" Bolt	57 1067	5/8" Retainer Ring (2)
2 6002	Handle Grips (2)	58 6083-C	Catcher Complete
3 1014	Handle Brace Plate	A- 6083	Catcher Only
4 1020	1/4"-28 x 5/8" Bolt (4)	B- 6084	Right Catcher Hook
5 1015	1/4"-28 Nut (7)	C- 6085	Left Catcher Hook
6 6501	Lower Handle Brace (Left & Right)	D- 6086	Reinforcement Washer (4)
7 6502	7/16"-14 x 5/8" Bolt (2)	E- 1018	1/4"-28 x 7/8" Bolt (4)
8 1008-A	7/16"-14 Jam Nut (4)	F- 1015	1/4"-28 Nut (4)
9 6503	Frame Assembly(Consists Of L+R Side Plate Welded With Cross Bars)	60 3904	Front Roller Shaft
11 1105	5/16"-18 x 5/8" Tapered Bolt (6)	61 4042	5/8"-18 Front Disk Nut (2)
12 1106	Bushing For Tapered Bolt (6)	62 1801	Right Roller Bracket W/Bearing
15 1083	Right Catcher Hook Bracket	63 1802	Left Roller Bracket W/Bearing
16 1086	Left Catcher Hook Bracket	64 1522-A	Spreader Bar Bushing (2)
17 1028	5/16"-18 x 3/4" Bolt (2)	65 1020	1/4"-28 x 5/8" Bolt (4)
18 1075-A	5/16"-18 Nut (2)	66 1015	1/4"-18 Nut (2)
19 3060-G	Bed Knife	67 1008	7/16"-14 Jam Nut (2)
20 1033	5/16"-18 x 1/2" Bolt (12)	RA 3971	Front Roller Assembly
21 6553	Grass Shield		
22 3059-10	Reel-10 Blade Reel		
23 1109	Right Reel Bearing Retainer		
24 1111	Left Reel Bearing Retainer		
25 1108	Reel Bearing (2)		
30 6516	Bushing (2)		
31 6517-G	Disk Roller (17)		
32 6518	Roller Disk (20)		
35 6520	Height Adjustment Bracket (2)		
36 6521	7/16"-14 x 2-1/2" Bolt (2)		
37 6522	Height Adjustment Shaft		
37A 6523	Wing Nut		
38 6524	Height Adjustment Bar		
39 6510	Chain Guard		
40 2034	1/4"-20 x 1/2" Bolt (2)		
41 7035	5/16" Flat Washer (2)		
42 6511	Chain Guard Holding Bracket		
43 1018	1/4"-28 x 7/8" Bolt (2)		
44 7132	#41 x 52 pitch Chain		
45 1069	8 Tooth Sprocket		
46 1068	30 Tooth Rear Wheel Sprocket		
47 6513	Rear Axle		
48 7136-A	8" Rear Wheel Rim (2)		
49 7061	8" Rear Wheel Tire (2)		
NS 7135	8" Complete Rear Wheel (2)		
50 1547	Rear Wheel Spacer (2)		
51 1071	Axle Bearing (2)		
52 7137-A	Sprag (2)		
53 7138	Sprag Roller (8)		
54 7140-A	Dust Cover (2)		
55 1545	Rear Axle Height Adjustment Bracket (2)		

*** NOT SHOWN**
 Each Part Sold As 1 Item.
 () Shows How Many Used
 Not How Many Received When Ordered

17" HAND PUSH FRONT THROW GREENS MOWER PARTS ILLUSTRATION



Safety Rules

 Improper use of the mower can result in injury. To reduce this possibility, give complete and undivided attention to the job at hand, and follow these safety precautions.

TRAINING

1. Read the Operating and Service Maintenance Instruction Manual carefully. Be thoroughly familiar with the proper use of the equipment.
2. Never allow children to operate the mower.
3. Keep area of operation clear of all persons, particularly small children and pets.

PREPARATION

1. Thoroughly inspect the area where the equipment is to be used, and remove all stones, sticks, wire, bones and other foreign objects.
2. Do not operate equipment when barefoot or wearing open sandals. Always wear substantial foot wear.
3. Mow only in daylight or in good artificial light.
4. Never operate equipment in wet grass. Always be sure of your footing. Keep a firm hold on the handle and walk, never run.

OPERATION

1. Do not put hand or feet near or under rotating parts. Keep clear of discharge opening at all times.
2. After striking a foreign object, thoroughly inspect the mower for any damage, and repair the damage before operating the mower.
3. When cleaning, repairing or inspecting, make certain reel and all moving parts have stopped.
4. Wait until reel comes to a complete stop before removing grass catcher.
5. Mow across the face of slopes, never up-and-down. Exercise extreme caution when changing direction on slopes. Do not mow excessively steep slopes.
6. Never operate mower without proper guards, plates or other safety protective devices in place.

MAINTENANCE

1. Keep all nuts, bolts and screws tight to be sure equipment is in safe working condition.
2. Check grass catcher frequently for wear or deterioration.(optional on this item)
3. Oil chain at regular intervals of approximately four hours usage.
4. **DO NOT MODIFY MOWER.** Unauthorized modification to the mower may impair its function and safety and affect mower life.

Two Year Limited Warranty

For two years from purchase (60 days for commercial use) McLane Manufacturing Inc., will replace for the original purchaser, free of charge, any part or parts, found upon examination by any factory authorized service center, or by the factory in Paramount, California, to be defective in material or workmanship or both. All transportation charges on parts submitted for replacement under this warranty must be borne by purchaser. There are no other expressed warranties. Implied warranties, including those of merchantability and fitness for a particular purpose, are limited to two years from purchase and to the extent permitted by law. Any and all implied warranties are excluded. This is the exclusive remedy and liability for consequential damages. Any and all warranties are excluded to the extent exclusion is permitted by law. Some states do not allow limitations on how long an implied warranty lasts, and some states do not allow the exclusion limitation of consequential damages to the above limitation and exclusion may not apply to you. This warranty gives you specific legal rights and you may also have other rights which vary from state to state.

It is your responsibility to follow the maintenance instructions described in the owner's manual. Routine service (cleaning, blade sharpening) is your responsibility.

McLane Manufacturing, Inc.

Note: Operator abuse and improper assembly of product is not covered by any written or implied warranty. Read your owner's manual carefully.